


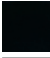

EDITION PRO GRANDE Single-lever basin mixer with pop-up waste - Chrome

33 502 626



- 130mm projection
- fixed spout
- circular, air-enriched flow
- height of mixer 142 mm
- height up to aerator 52 mm
- hole diameter 35 mm
- 2x screw-in M 10 x 1 pressure hose, leak-tested
- max. flow 7 l/min
- lead-free

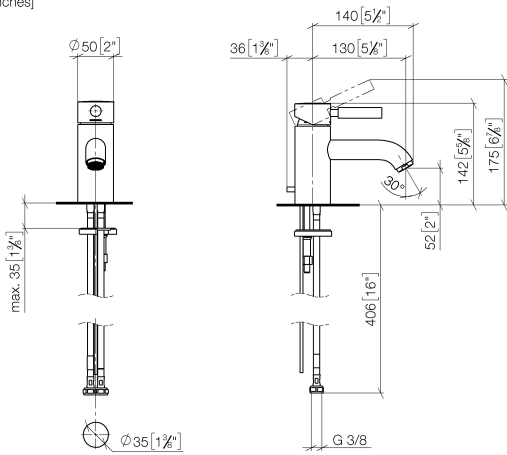
Only suitable for basins with an overflow.

| | | |
|---|----------------|---------------|
|  | Chrome | 33 502 626-00 |
|  | Matte Black | 33 502 626-33 |
|  | Brushed Chrome | 33 502 626-93 |

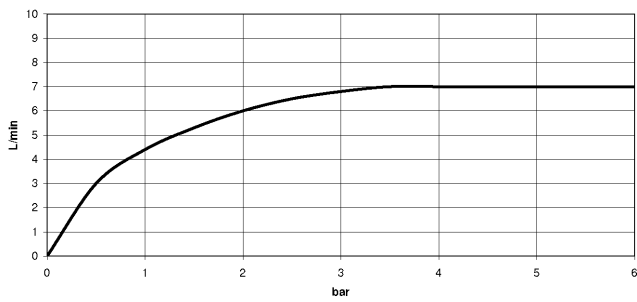
EDITION PRO GRANDE Single-lever basin mixer with pop-up waste - Chrome

33 502 626

mm [inches]



Flow rate chart

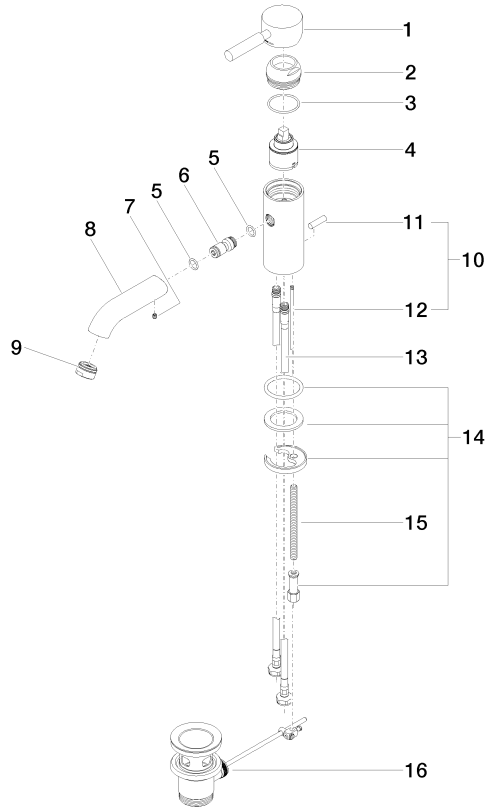


Certificates

WRAS_1805123. LGA_9389.

EDITION PRO GRANDE Single-lever basin mixer with pop-up waste - Chrome

33 502 626



Spare parts list

| No. | Item Number | Name | Quantity used | Delivery time |
|-----|--------------------|--------------|---------------|---------------|
| 1 | 90 20 62 047 00-00 | handle | 1 | 10 |
| 2 | 09 28 30 016-00 | cover | 1 | 10 |
| 3 | 09 14 10 134 90 | seal | 1 | 2 |
| 4 | 90 15 05 045 00 90 | cartridge | 1 | 2 |
| 5 | 09 14 10 003 90 | seal | 1 | 2 |
| 6 | 09 24 04 025 10 90 | nipple | 1 | 2 |
| 7 | 90 31 11 030 00 90 | pin | 1 | 2 |
| 8 | 09 11 06 063 10-00 | spout | 1 | 10 |
| 9 | 90 23 01 118 01-00 | aerator | 1 | 10 |
| 11 | 04 20 62 030 80-00 | pull-rod | 1 | 10 |
| 12 | 09 20 62 030-00 | handle | 1 | 10 |
| 13 | 09 31 09 080-00 | pull-rod | 1 | 10 |
| 14 | 04 30 04 104 00 90 | hose | 2 | 2 |
| 15 | 04 30 11 038 00 90 | fixing set | 1 | 2 |
| 16 | 09 31 11 012 90 | pin | 1 | 2 |
| 17 | 90 11 01 001 00-00 | pop-up waste | 1 | 10 |